



## Velocity 10" Touch Panel

AT-VTPG-1000VL-BL and AT-VTPG-1000VL-WH



The Atlona AT-VTPG-1000VL is a Velocity System 10" touch panel with integrated Velocity gateway. This all-in-one touch panel solution simplifies configuration and deployment for installations that only require control of a single room or AV system. Setup of the VTPG-1000VL is easy. The intuitive, browser-based configuration guides you through adding AV equipment to the room, creating user interfaces, and specifying control macros.

The large 10" touch panel features contemporary, refined styling with 1280x800 native resolution, and a capacitive glass surface. Bright LED lighting surrounding the edge of the panel is ideal for providing a visual representation of room status or for adding emphasis to AV control functions.

### Package Contents

1 x AT-VTPG-1000VL  
1 x Wall/Glass mount  
4 x Mounting screws  
2 x Safety screws

1 x Glass mount cover sticker  
2 x Glass mount adhesive strips  
1 x Installation Guide

### Operating Notes

- The AT-VTPG-1000VL is PoE capable, to power the unit, simply plug it into a 802.3at compatible network switch. If the network switch is not PoE capable, a PoE injector (purchased separately) can be used.

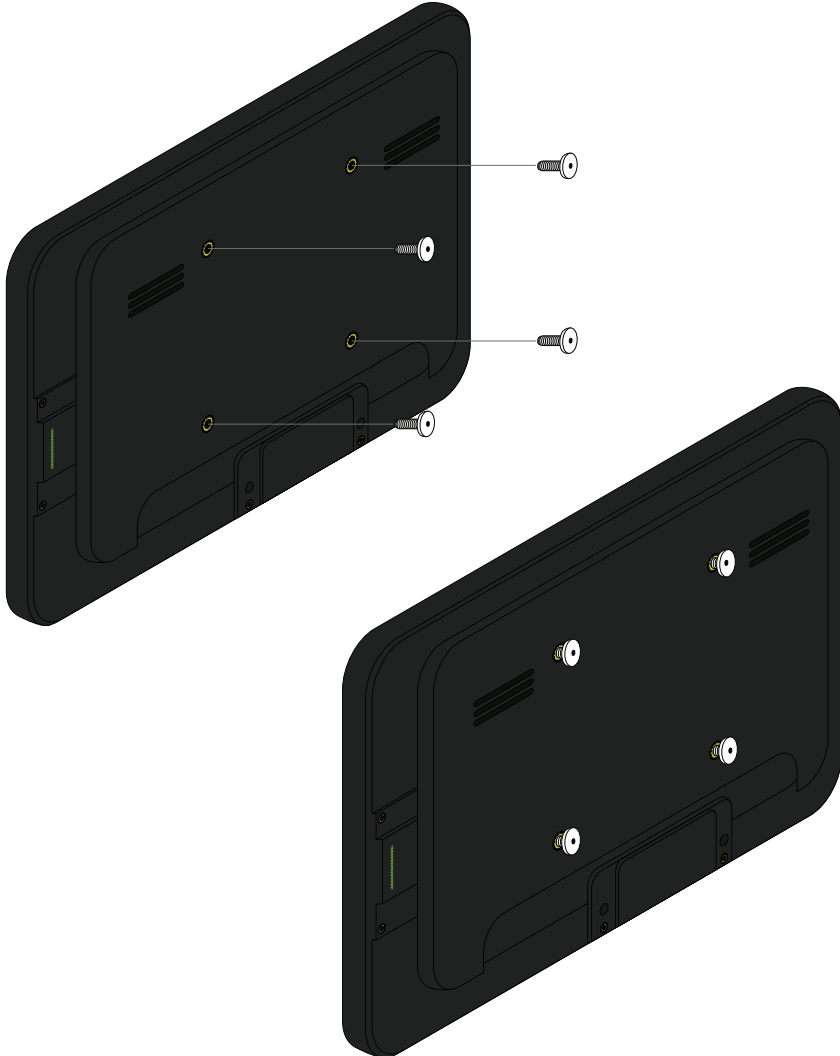


## Mounting Instructions

The AT-VTPG-1000VL has two mounting options. In-wall or an optional stand (available through [atlonacom](http://atlonacom)).

### In-wall

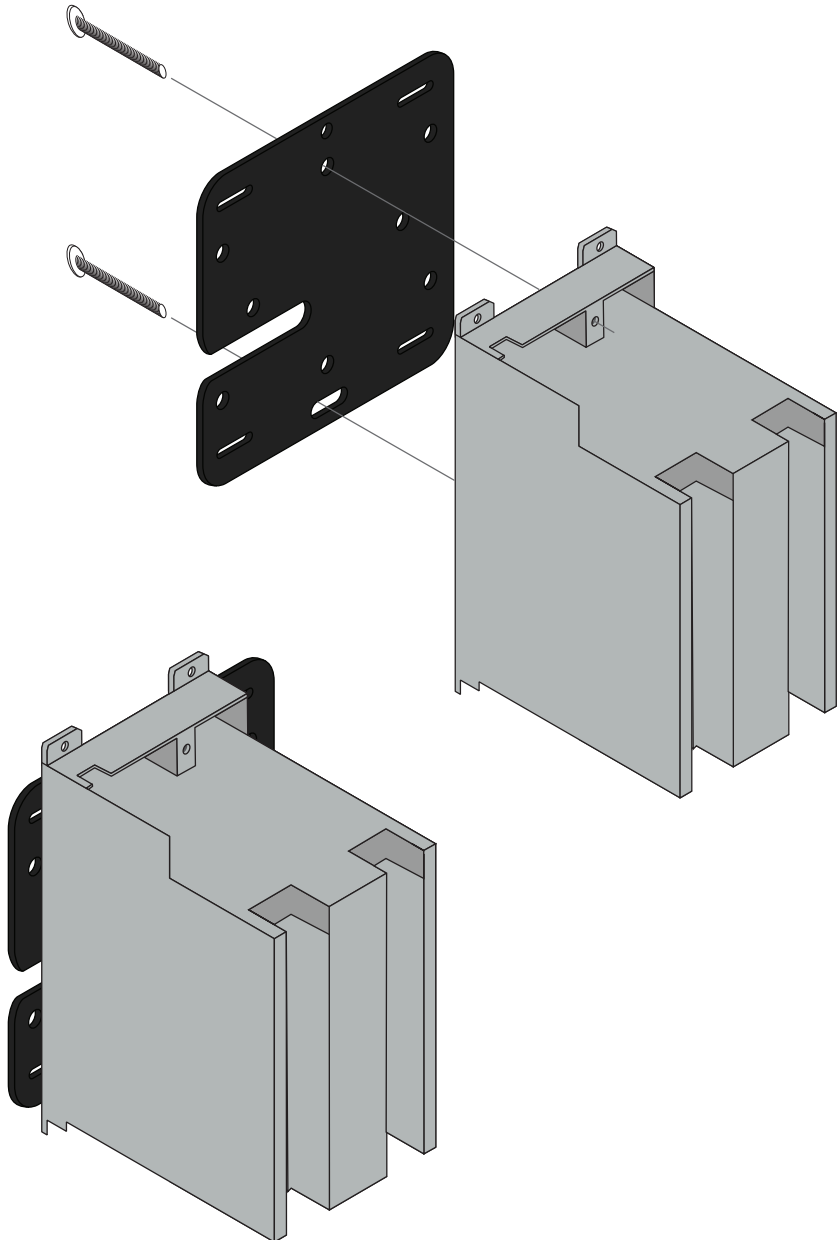
- 1 Connect the included mounting screws into the back of the wall plate. Do not over-tighten the screws, as they should stick out a few mm from the wall plate for affixing to the wall/glass mount.





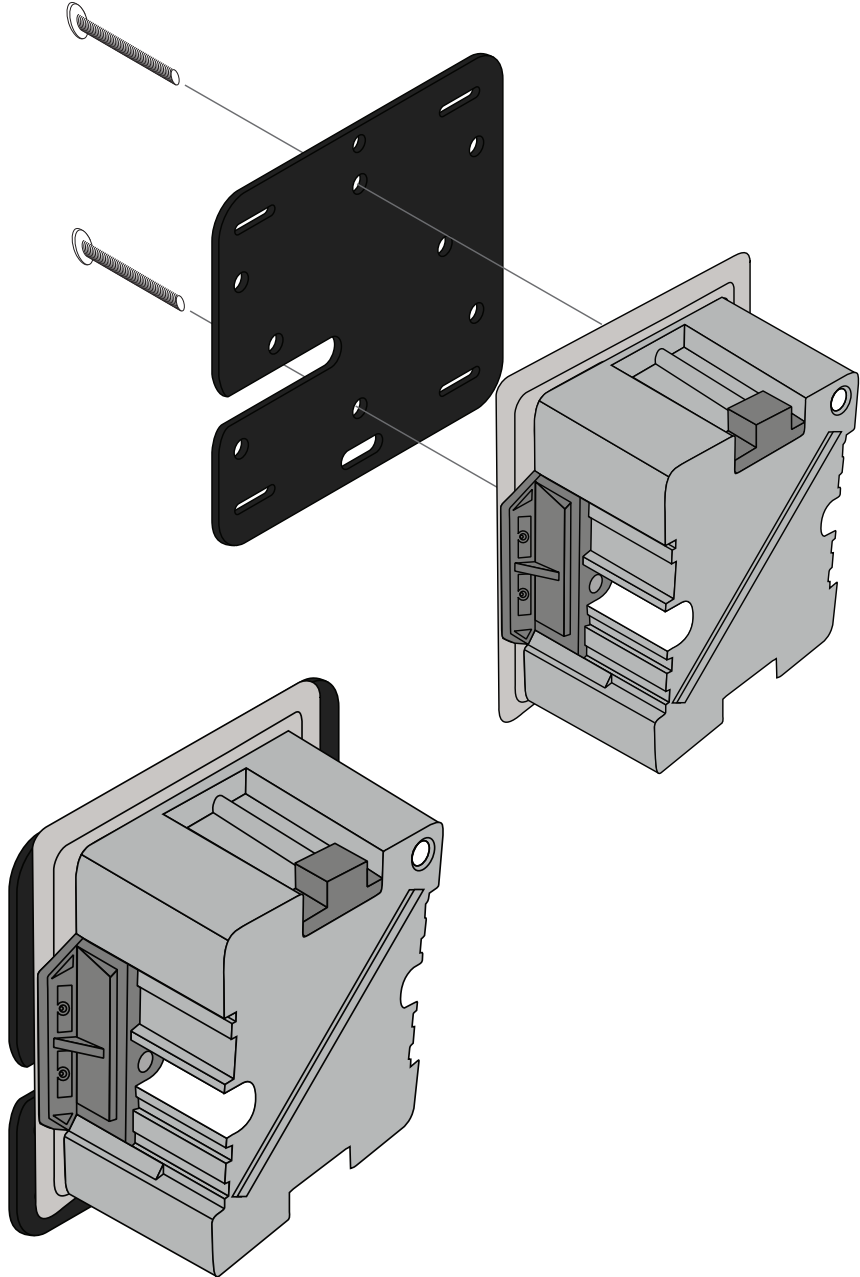
- 2 Affix the wall/glass mount to the back box. This will differ per region.

**US**



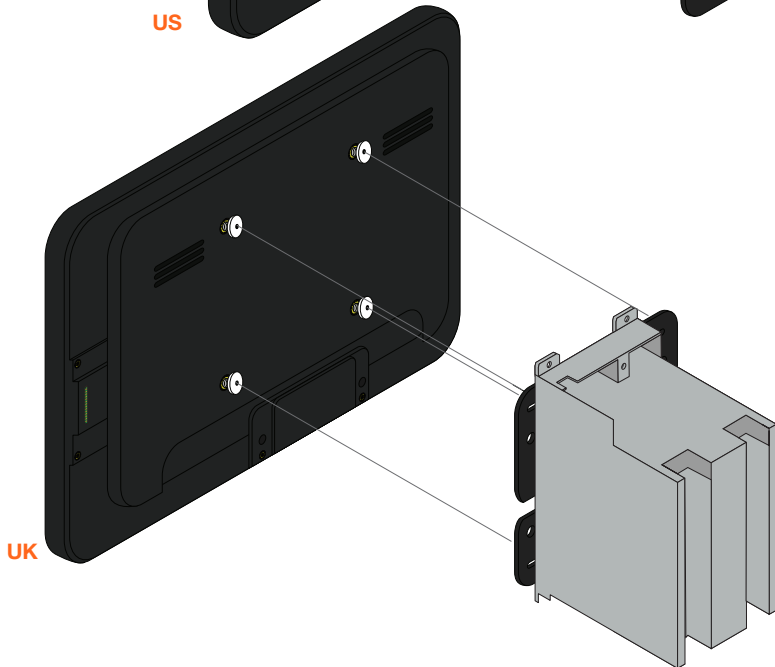
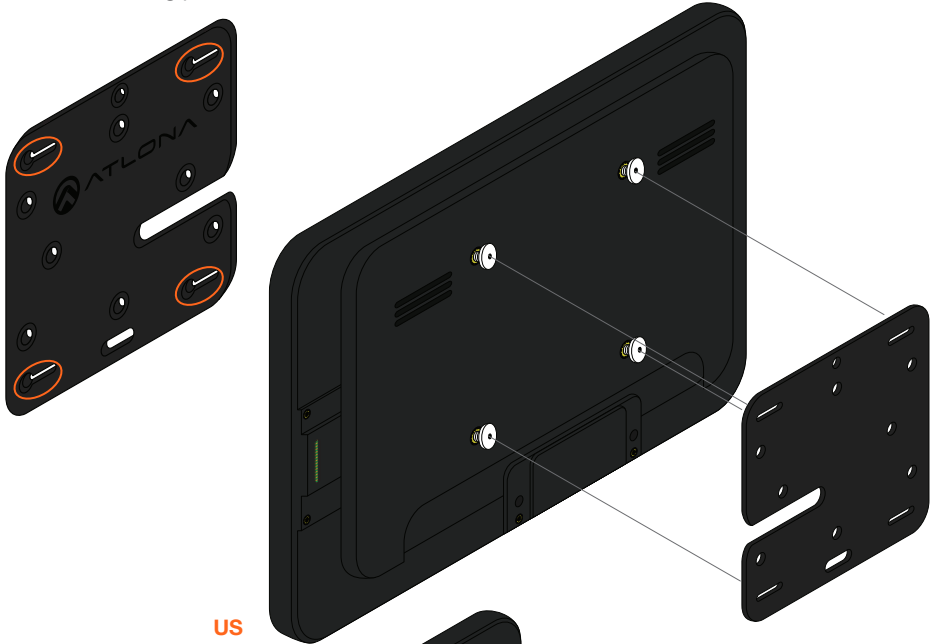


UK





- 3 Align the screws on the back of the wall plate with the four large holes and slide them onto the mounting plate.

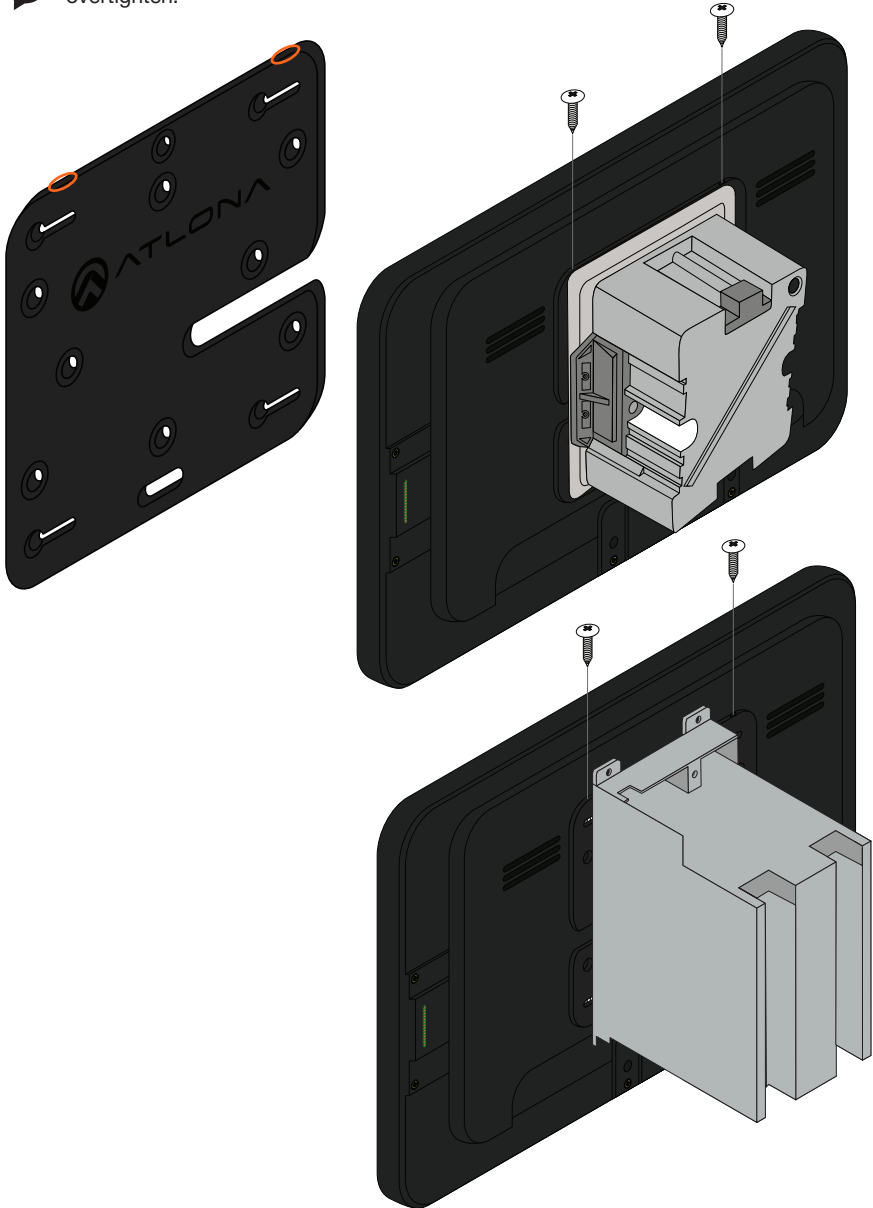




- 4 Insert the included safety screws into the top of the mounting plate, this will lock the mounting screws into places.



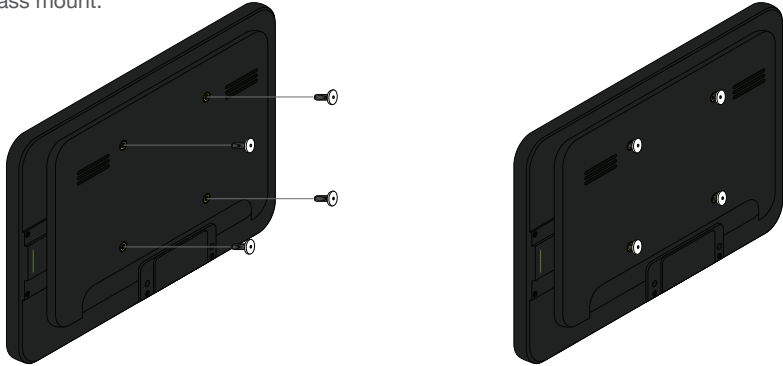
**NOTE:** Tighten the screws by hand. To avoid damage to the touch panel, do not overtighten.



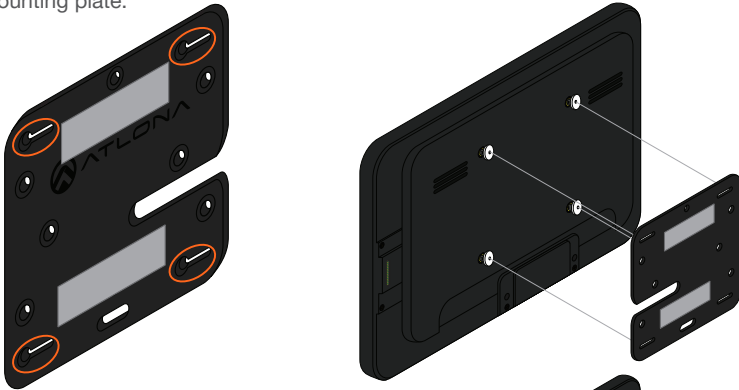


### Glass Mounting

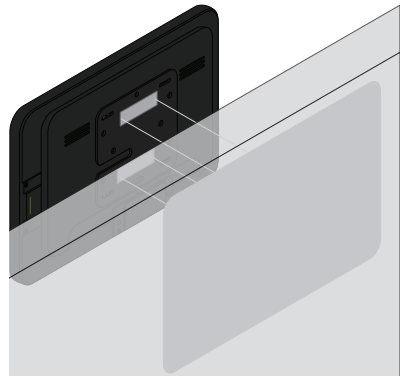
- 1 Connect the included mounting screws into the back of the wall plate. Do not over-tighten the screws, as they should stick out a few mm from the wall plate for affixing to the wall/glass mount.



- 2 Remove the paper from one side of the double-sided tape and affix it to the back of the mounting plate.
- 3 Align the screws on the back of the wall plate with the four large holes and slide them onto the mounting plate.

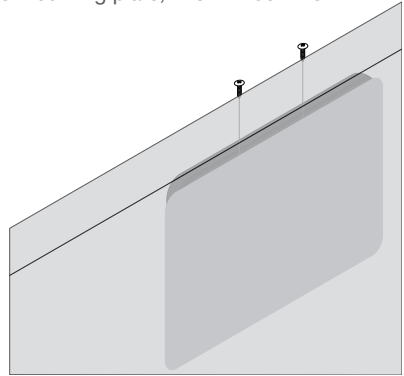


- 4 \*Optional\* Affix the Glass Mount Cover Sticker to the glass where the unit will be placed.
- 5 Remove the cover from the back of the double-sided tape.
- 6 Gently press the unit and mount firmly to the glass and hold pressure for thirty seconds to ensure the tape is fully engaged.





- 7 Insert the included safety screws into the top of the mounting plate, this will lock the mounting screws into places.

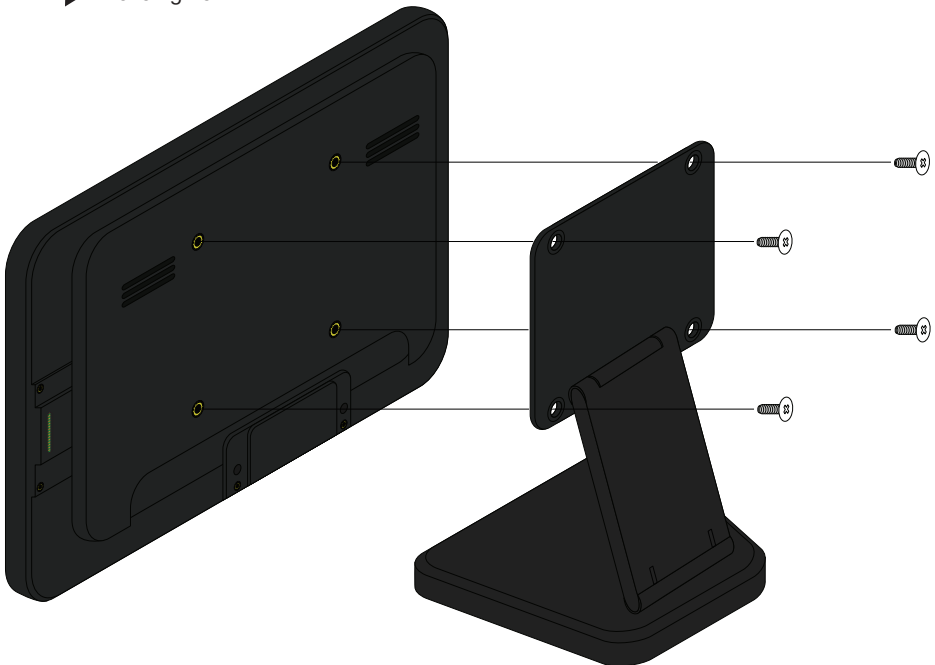


**Table Mount (AT-VTP-VTM purchased separately through [atlonacom.com](http://atlonacom.com))**

- 1 Place the stand on the table/desk
- 2 Align the screw holes on the back of the wall plate with the holes on the adjustable stand.
- 3 Use the mounting screws included with the VTP-VTM and thread them through the back of the stand into the wall plate.



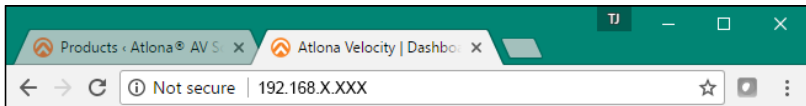
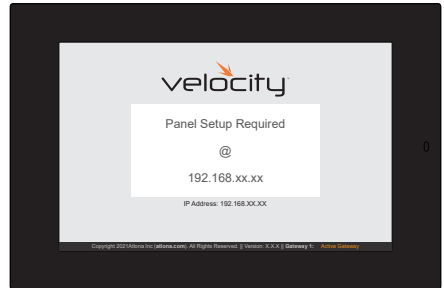
**NOTE:** Tighten the screws by hand. To avoid damage to the touch panel, do not overtighten.



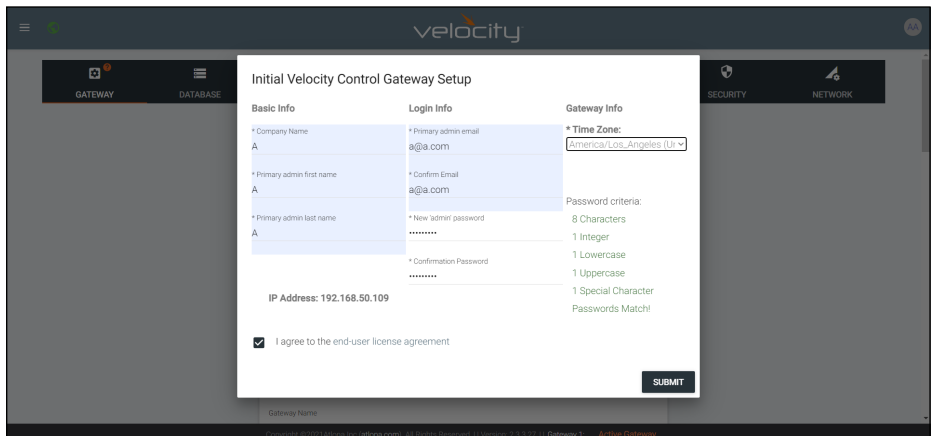


## Installation and Set Up

- 1 Connect the Ethernet cable into the back of the unit.
  - a If the Ethernet cable is connected to a non PoE switch, use a PoE injector using 802.3at (purchased separately).
- 2 Secure the unit in either the wall or optional stand, as explained in the mounting instructions.
- 3 The Velocity logo will display during the booting process and then go to an IP screen. Copy the IP to enter into a browser.



Velocity will automatically log in once the IP is launched and a pop up will appear.



*New admin password [password]	Password criteria: 8 Characters 1 Integer 1 Lowercase 1 Uppercase 1 Special Character Passwords do not match
* Confirmation Password [password]	

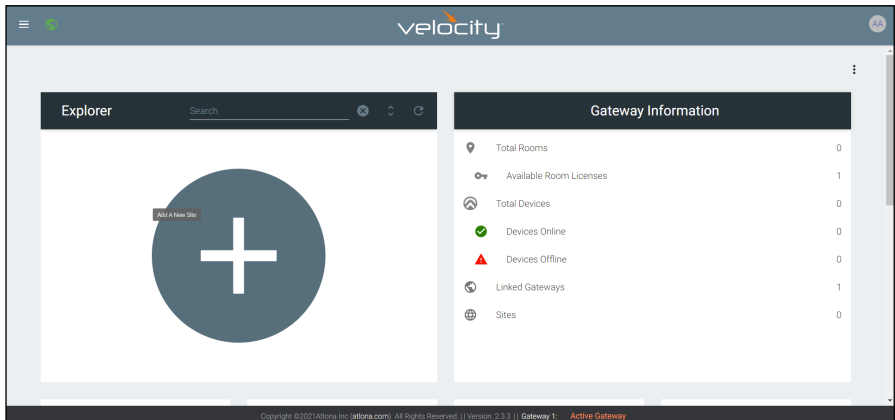
*New admin password [password]	Password criteria: 8 Characters 1 Integer 1 Lowercase 1 Uppercase 1 Special Character Passwords do not match
* Confirmation Password [password]	

*New admin password [password]	Password criteria: 8 Characters 1 Integer 1 Lowercase 1 Uppercase 1 Special Character Passwords Match!
* Confirmation Password [password]	



**NOTE:** Passwords must be at least 8 characters and include: 1 number, 1 uppercase letter, 1 lowercase letter, and 1 special character. The text will appear all green when the password meets all criteria.

- Select the “I agree to the...” check box. The submit button will appear.
- Select the **SUBMIT** button once all information is filled. The home screen will display.



- Select the + button in the center of the Explorer box to create a site. A new pop up will appear.

**Add Site**

*The New Site will contain default Building, Floor and Room*

\* Site Name  
ABC

\* Country  
United States

\* Address 1  
123 ABC

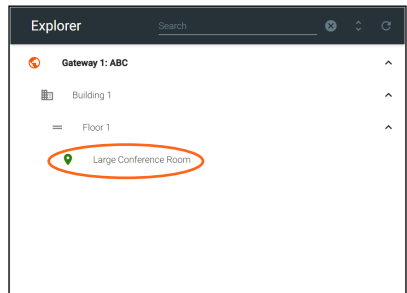
Address 2

\* City  
Bay Area

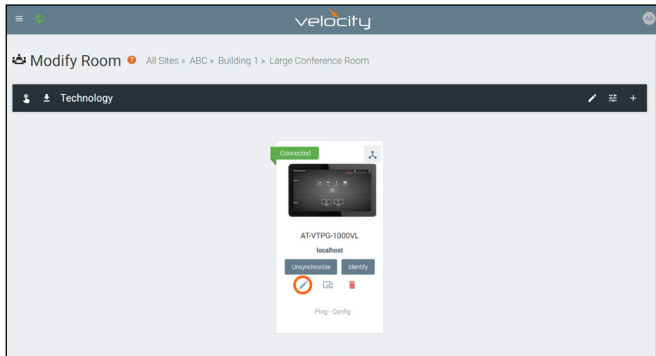
\* Post Code  
95134

\* State/Province  
California

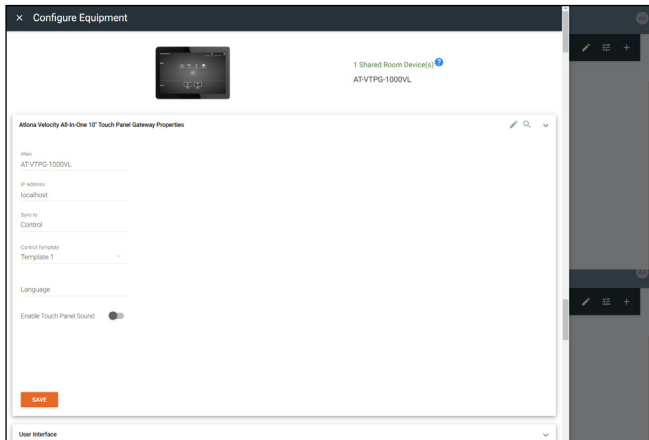
\* Building Image  
Generic Building



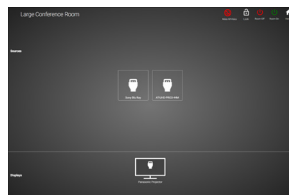
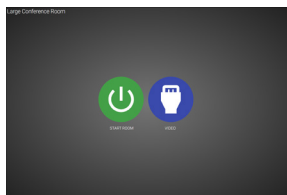
- Fill in the site information and select an image for the building.
- Press the **SUBMIT** button. The new site will be created with a building, floor, and conference room. The AT-VTPG will already be added to the room.
- Select the ^ to expand the site within the explorer field. Select the room name. A new screen will open.



- 10 Select the edit (pencil) icon to open the panel configuration.



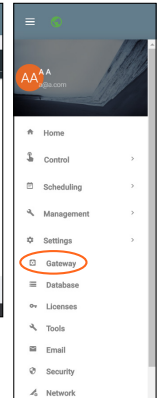
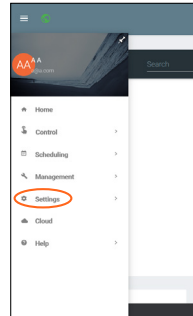
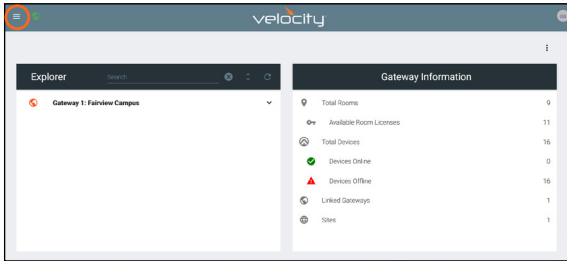
- 13 From the edit screen, set up the basic user interface options and control page setting. This will allow the background color, control icons, and more to be customized. If more customization is needed, view the [Velocity manual](#).
- 14 The panel is set up, the room will need to be set up with sources and displays for the control page to open. View the [Velocity manual](#) for full configuration of the software.



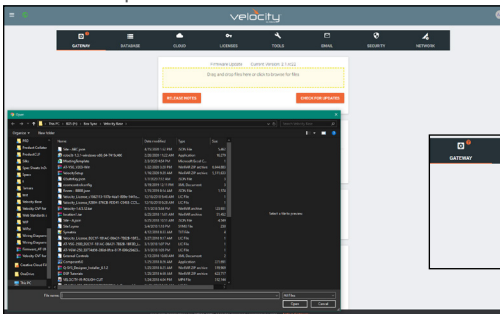
## Firmware Updating

The AT-VTPG uses the same firmware as the Velocity gateway.

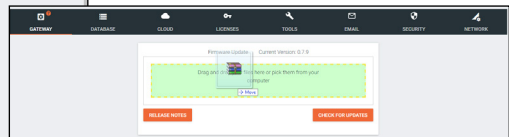
- 1 Locate the ☰ in the top left corner of the home page and left click to open the menu.
- 2 Select **Settings** from the menu. New options will appear.
- 3 Select **Gateway**.



- 4 Click on the field to browse the local computer for the firmware file, or drag and drop the firmware into the field.

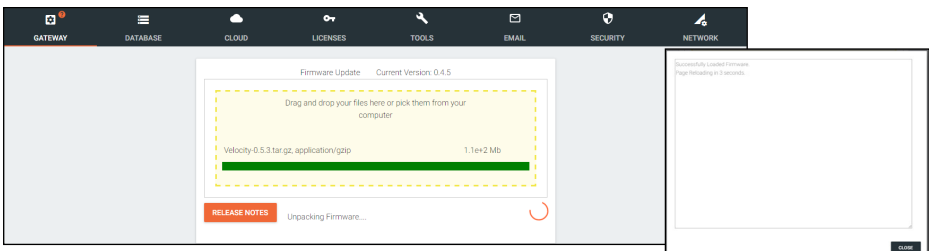


**NOTE:** Velocity update files will be tar.gz file extensions. These are compressed files and should not be extracted before upload.



**NOTE:** When downloading the firmware file on a MAC, ensure that the file is not being auto-extracted. The option to turn off auto-extraction will be found within the browser settings.

Firmware upgrading will start automatically.



When the firmware upgrade is successfully completed, a pop up window will appear. It will close a few seconds later.



## **Atlona, Inc. (“Atlona”) Limited Product Warranty**

### **Coverage**

Atlona warrants its products will substantially perform to their published specifications and will be free from defects in materials and workmanship under normal use, conditions and service.

Under its Limited Product Warranty, Atlona, at its sole discretion, will either:

- repair or facilitate the repair of defective products within a reasonable period of time, restore products to their proper operating condition and return defective products free of any charge for necessary parts, labor and shipping.

OR

- replace and return, free of charge, any defective products with direct replacement or with similar products deemed by Atlona to perform substantially the same function as the original products.

OR

- refund the pro-rated value based on the remaining term of the warranty period, not to exceed MSRP, in cases where products are beyond repair and/or no direct or substantially similar replacement products exist.

Repair, replacement or refund of Atlona products is the purchaser’s exclusive remedy and Atlona liability does not extend to any other damages, incidental, consequential or otherwise.

This Limited Product Warranty extends to the original end-user purchaser of Atlona products and is non-transferrable to any subsequent purchaser(s) or owner(s) of these products.

### **Coverage Periods**

Atlona Limited Product Warranty Period begins on the date of purchase by the end-purchaser. The date contained on the end-purchaser’s sales or delivery receipt is the proof purchase date.

### **Limited Product Warranty Terms – New Products**

- 10 years from proof of purchase date for hardware/electronics products purchased on or after June 1, 2013.

#### **Exclusions:**

- HDVS-CAM Series: PTZ motor is covered for 3 years; hardware, electronic circuit and optics are covered for 10 years
- VTP and VSP Series: 2-year limited product warranty
- 3 years from proof of purchase date for hardware/electronics products purchased before June 1, 2013.
- Lifetime Limited Product Warranty for all cable products.

### **Limited Product Warranty Terms – Refurbished (B-Stock) Products and Discontinued Products**

- 3 years from proof of purchase date for all Refurbished (B-Stock) and Discontinued hardware and electronic products purchased on or after June 1, 2013.



## **Atlona, Inc. (“Atlona”) Limited Product Warranty Cont.**

### **Remedy**

Atlona recommends that end-purchasers contact their authorized Atlona dealer or reseller from whom they purchased their products. Atlona can also be contacted directly. Visit [www.atlona.com](http://www.atlona.com) for Atlona’s contact information and hours of operation. Atlona requires that a dated sales or delivery receipt from an authorized dealer, reseller or end-purchaser is provided before Atlona extends its warranty services. Additionally, a return merchandise authorization (RMA) and/or case number, is required to be obtained from Atlona in advance of returns.

Atlona requires that products returned are properly packed, preferably in the original carton, for shipping. Cartons not bearing a return authorization or case number will be refused. Atlona, at its sole discretion, reserves the right to reject any products received without advanced authorization. Authorizations can be requested by calling 1-877-536-3976 (US toll free) or 1-408- 962-0515 (US/international) or via Atlona’s website at [www.atlona.com](http://www.atlona.com).

### **Exclusions**

This Limited Product Warranty excludes:

- Damage, deterioration or malfunction caused by any alteration, modification, improper use, neglect, improper packaging or shipping (such claims must be presented to the carrier), lightning, power surges, or other acts of nature.
- Damage, deterioration or malfunction resulting from the installation or removal of this product from any installation, any unauthorized tampering with this product, any repairs attempted by anyone unauthorized by Atlona to make such repairs, or any other cause which does not relate directly to a defect in materials and/or workmanship of this product.
- Equipment enclosures, cables, power supplies, batteries, LCD displays, and any accessories used in conjunction with the product(s).
- Products purchased from unauthorized distributors, dealers, resellers, auction websites and similar unauthorized channels of distribution.

### **Disclaimers**

This Limited Product Warranty does not imply that the electronic components contained within Atlona’s products will not become obsolete nor does it imply Atlona products or their electronic components will remain compatible with any other current product, technology or any future products or technologies in which Atlona’s products may be used in conjunction with. Atlona, at its sole discretion, reserves the right not to extend its warranty offering in instances arising outside its normal course of business including, but not limited to, damage inflicted to its products from acts of god.

### **Limitation on Liability**

The maximum liability of Atlona under this limited product warranty shall not exceed the original Atlona MSRP for its products. To the maximum extent permitted by law, Atlona is not responsible for the direct, special, incidental or consequential damages resulting from any breach of warranty or condition, or under any other legal theory. Some countries, districts or states do not allow the exclusion or limitation of relief, special, incidental, consequential or indirect damages, or the limitation of liability to specified amounts, so the above limitations or exclusions may not apply to you.



## **Atlona, Inc. (“Atlona”) Limited Product Warranty Cont.**

### **Exclusive Remedy**

To the maximum extent permitted by law, this limited product warranty and the remedies set forth above are exclusive and in lieu of all other warranties, remedies and conditions, whether oral or written, express or implied. To the maximum extent permitted by law, Atlona specifically disclaims all implied warranties, including, without limitation, warranties of merchantability and fitness for a particular purpose. If Atlona cannot lawfully disclaim or exclude implied warranties under applicable law, then all implied warranties covering its products including warranties of merchantability and fitness for a particular purpose, shall provide to its products under applicable law. If any product to which this limited warranty applies is a “Consumer Product” under the Magnuson-Moss Warranty Act (15 U.S.C.A. §2301, ET SEQ.) or other applicable law, the foregoing disclaimer of implied warranties shall not apply, and all implied warranties on its products, including warranties of merchantability and fitness for the particular purpose, shall apply as provided under applicable law.

### **Other Conditions**

Atlona’s Limited Product Warranty offering gives legal rights, and other rights may apply and vary from country to country or state to state. This limited warranty is void if (i) the label bearing the serial number of products have been removed or defaced, (ii) products are not purchased from an authorized Atlona dealer or reseller. A comprehensive list of Atlona’s authorized distributors, dealers and resellers can be found at [www.atlona.com](http://www.atlona.com).



### English Declaration of Conformity

The English version can be found under the resources tab at:

<https://atlona.com/product/at-vtpg-1000vl/>.



### Chinese Declaration of Conformity 中国RoHS合格声明

由SKU列出於:

<https://atlona.com/about-us/china-rohs/>.



Toll free US      International  
atlona.com • 877.536.3976 • 41.43.508.4321